



ISO 9001:2015 Certified

HINDLEPOWER COMPANION PRODUCT DC CONTROL PANEL



JF5082-00

DC Control Panel

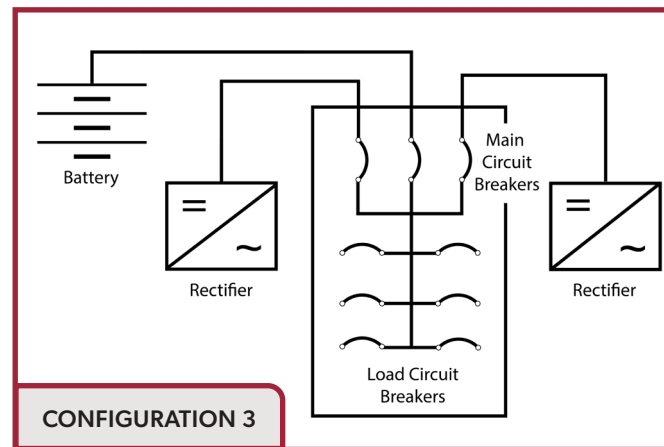
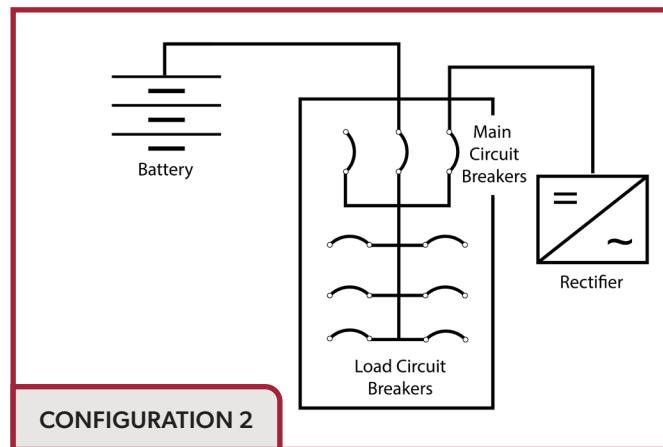
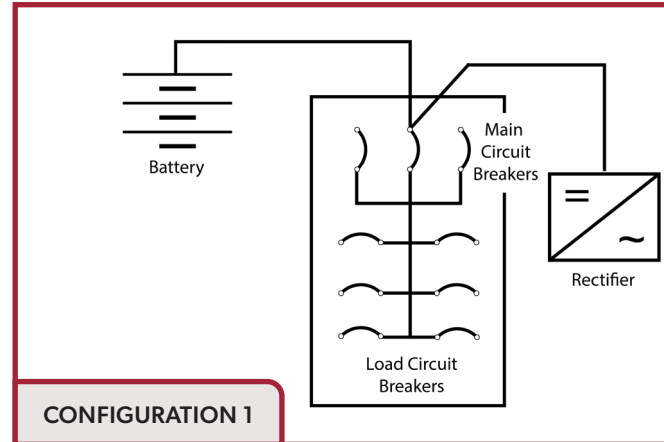
A smart way to coordinate DC loads with DC sources



The DC Control Panel provides up to three main circuit breakers, useful for connecting multiple dc sources, such as chargers and batteries.

Assembly is NRTL designed, manufactured, tested, and labeled via SICP to standards CSA C22.2 No. 286-17 & UL 508A.

Utilizes UL 489 listed Square-D molded case circuit breakers for branch protection.



Features and Configurations

Main Circuit Breakers

Supports up to three (3) main breakers rated at 250Vdc:

- “Hx” frame: 50, 75, 100, 125, and 150Adc
- “Jx” frame: 150, 175, 200, 225 and 250Adc

The sum of the dc sources not to exceed 400Adc

Main breaker(s) interrupting rating is 20 kAIC standard

Optional auxilliary switches available

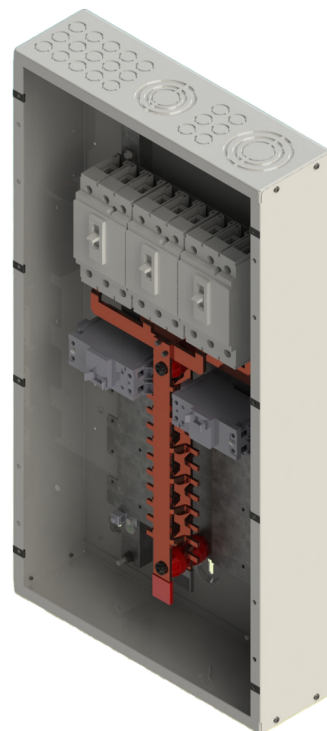
Branch Circuit Breakers

Distribution section supports multiple Square-D Power-Pact “Bx” type circuit breakers:

- 15, 20, 25, 30, 35, 40, 50, 60, 70, 80, 90, 100, 110, and 125Adc trip ratings available

Branch breaker(s) interrupting rating is 10 kAIC standard with optional 20 kAIC available

Optional single pole circuit breakers and auxilliary switches available



Enclosure Features

Standard enclosure is designed to meet NEMA Type-1 specs. It can also be supplied with an optional enclosure to meet NEMA Type-3R specs.

Designed for standard rear surface wall mounting. Optional bracket accessory for EIA rack mounting is available.

Pre-punched conduit knockouts, on top side as standard:

- (1) 1.25in / 32mm through 3.50in / 89mm knockout
- (1) 0.75in / 19mm through 3.00in / 76mm knockout
- (24) 0.5in / 13mm through 0.75in / 19mm knockouts

Enclosure can be arranged with optional bottom conduit knockouts, if requested.

SPECIFICATION

Main Bus

Material: ETP 110 copper
Bus bar Rating: 250Vdc / 400A

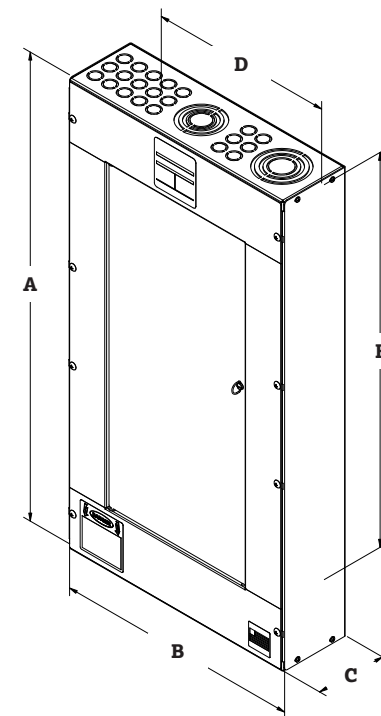
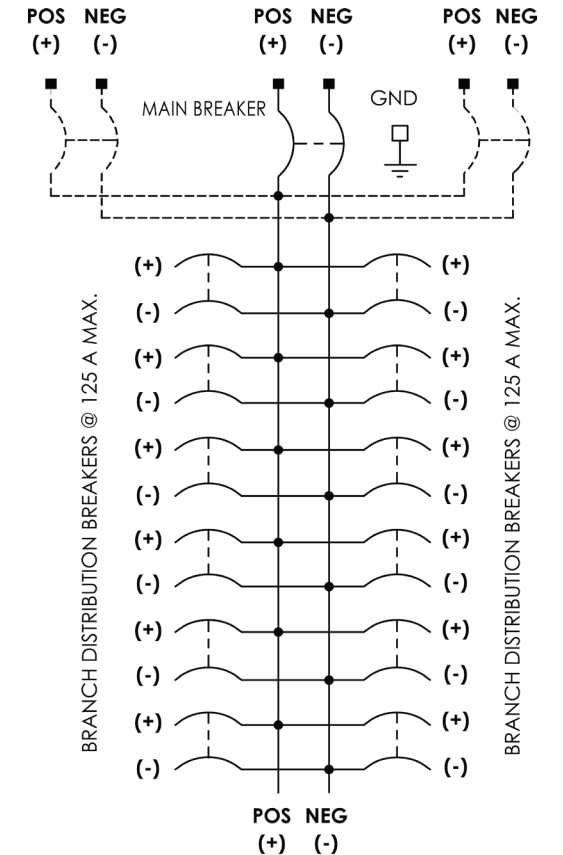
Branch Bus

Material: ETP 110 copper
Bus bar Rating: 250Vdc / 125A

ENVIRONMENTAL

Operating Temperature: 0-40 °C

DC Control Panel Schematic



Enclosure Dimensions

Enclosure	DCP38	DCP56
A	38.00in	56.00in
B	20.12in	20.12in
C	5.82in	5.82in
D	15.00in	15.00in
E	32.00in	50.00in

Operating Instructions



Standard Drawings





HindlePower, Inc.
1075 Saint John Street
Easton, PA 18042
www.hindlepowerinc.com
610.330.9000